

All Rights reserved. Buro Happold and its group companies assert their copyright in writing their rights under s.77 to 89 of the Copyright, Design and Patents Act 1988.
DO NOT SCALE THIS DRAWING.

HEALTH AND SAFETY INFORMATION

IN ADDITION TO THE HAZARD/RISKS NORMALLY ASSOCIATED WITH THE TYPES OF WORK DETAILED ON THIS DRAWING, NOTE THE FOLLOWING:

CONSTRUCTION

Ci. TBC

MAINTENANCE/CLEANING/OPERATION

Mi. TBC

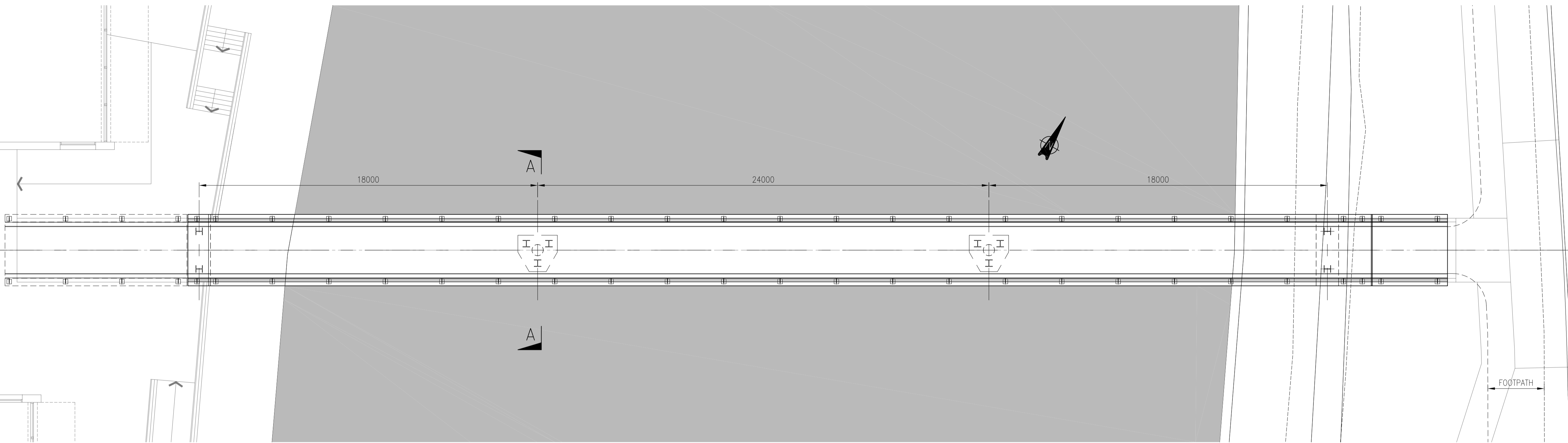
DECOMMISSIONING/DEMOLITION

Di. TBC

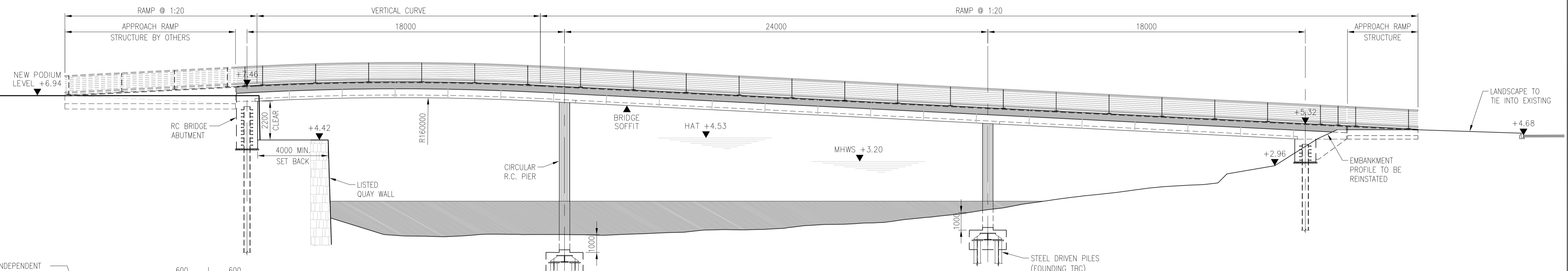
Notes

1. ALL DIMENSIONS SHOWN ON THIS DRAWING ARE GIVEN IN MILLIMETRES, UNLESS NOTED OTHERWISE.
2. ALL LEVELS SHOWN ON THIS DRAWING ARE GIVEN IN METRES RELATIVE TO ORDNANCE DATUM (NEWLYN).
3. ALL SECTION SIZES SHOWN ARE SUBJECT TO CONFIRMATION THROUGH DETAILED DESIGN.

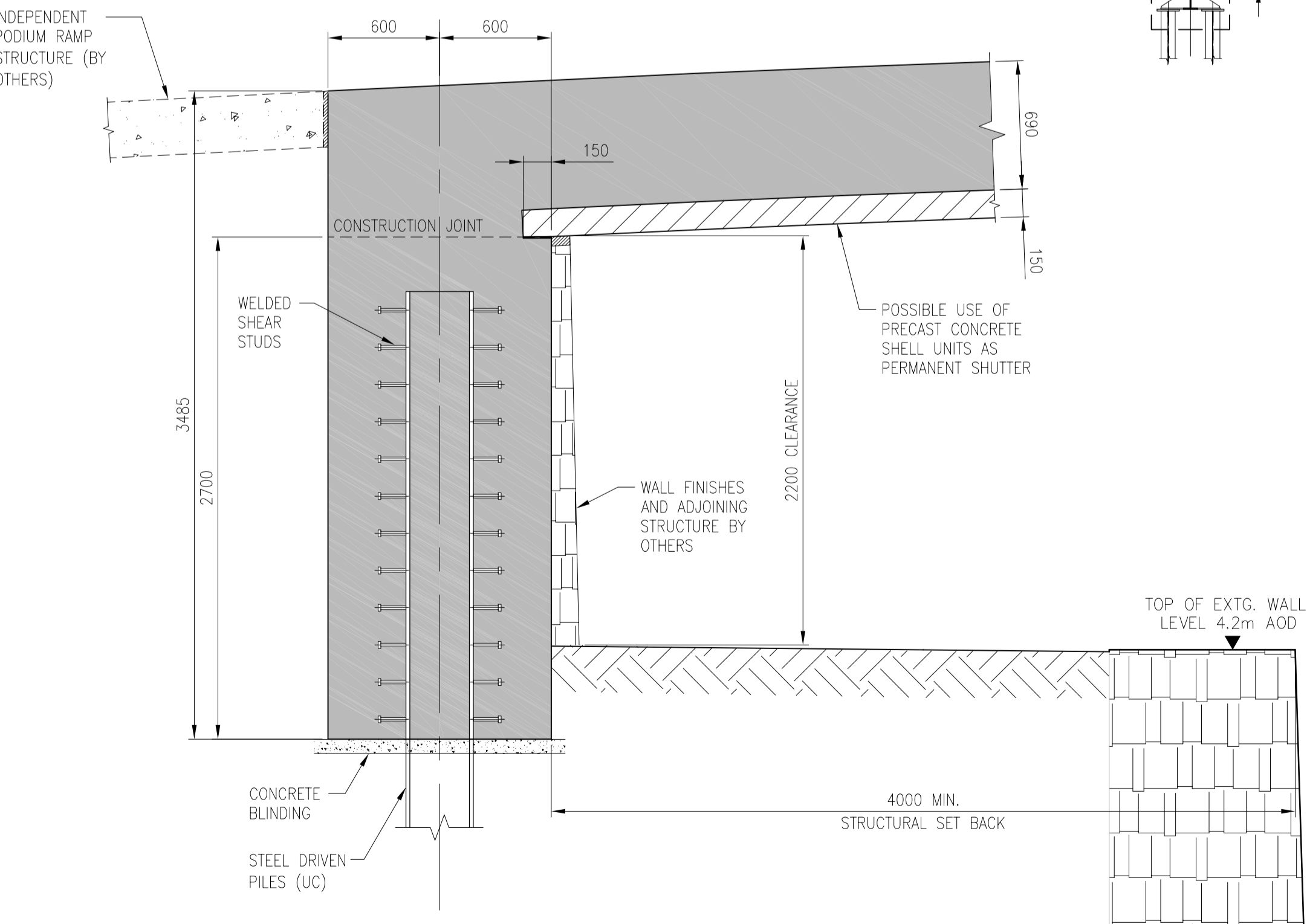
PENPOL TERRACE



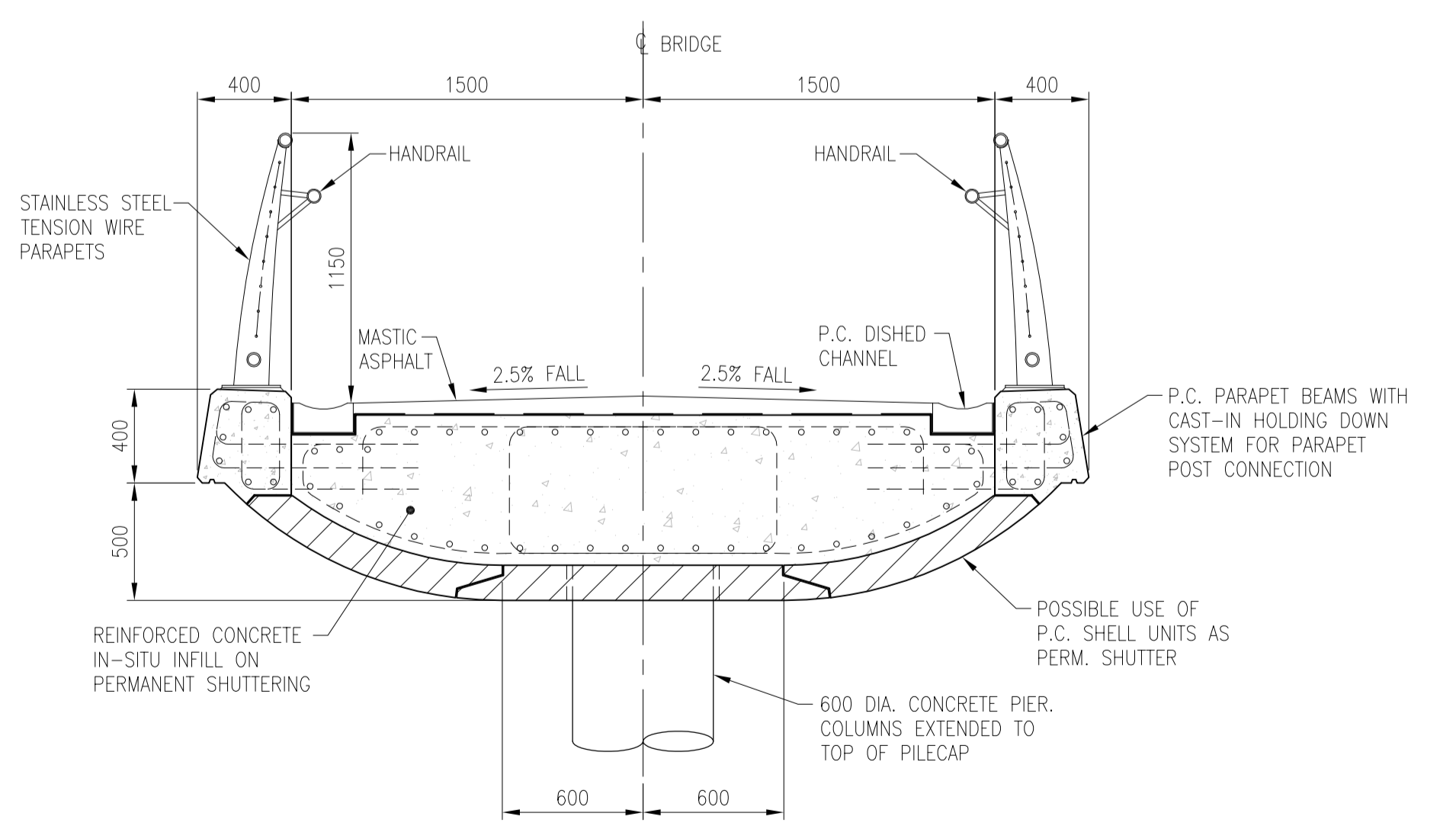
PLAN
SCALE 1:125



ELEVATION
SCALE 1:125



SECTION THROUGH WEST ABUTMENT
SCALE 1:25



SECTION A-A
SCALE 1:25

02	BRIDGE ALIGNMENT AND DETAILS REVISED TO SUIT AMENDED WEST ABUTMENT CLEARANCES	30.11.11	AFH	SEF
01	ISSUED FOR COMMENT	25.06.10	AFH	SEF
00	FIRST ISSUE (AS DRAFT)	02.06.10	LD	CR
Rev	Description	Date	Drm	Ch'd

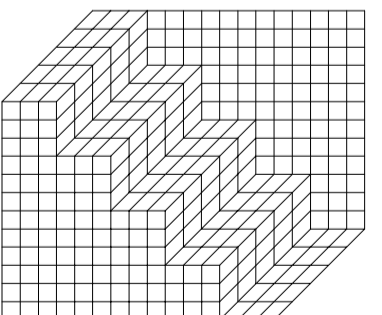
PRELIMINARY

Status of drawing

17 Newman Street
London
W1T 1PD
UK

Tel: +44 (0)20 7827 9700
Fax: +44 (0)20 787 4145

Web: www.burohappold.com



Buro Happold
Consulting Engineers

Architect		Job No. 027802	
Project HAYLE SQ FOOD STORE		Drawing No. CSK01	
FOOTBRIDGE GENERAL ARRANGEMENT		Date MAY'10	
Scale(s) A1	AS SHOWN	Checked by C.R.	Rev 01