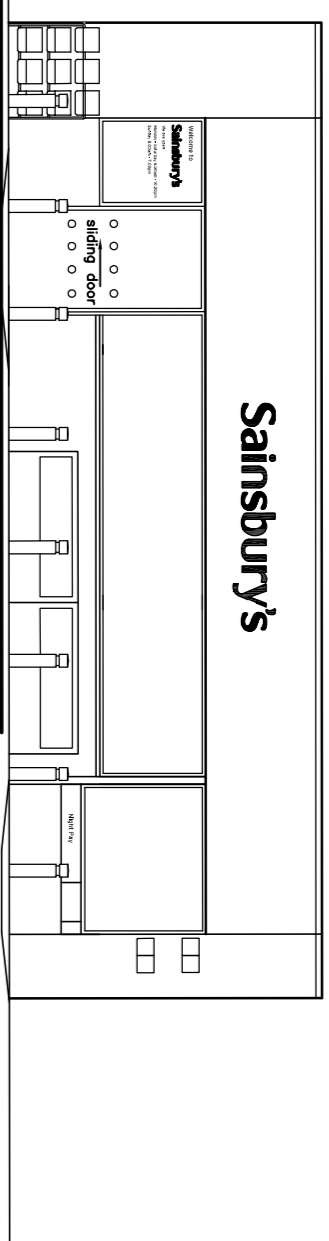
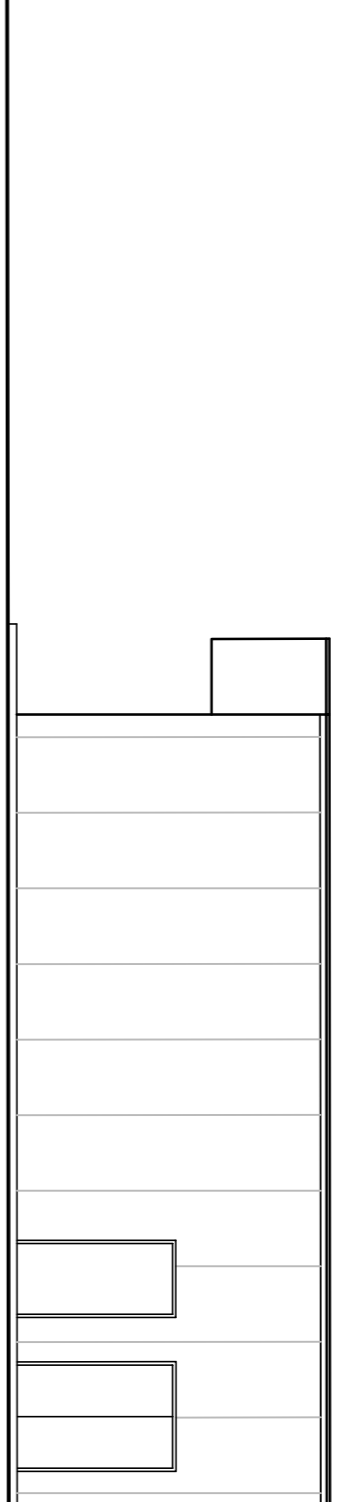


Sainsbury's

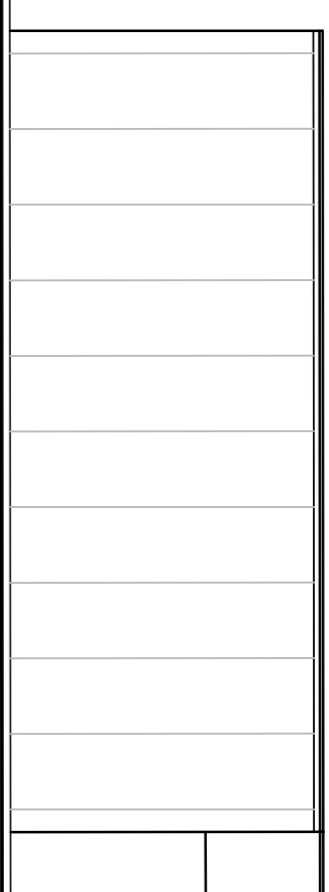


FRONT (SOUTH EAST) ELEVATION

Sainsbury's

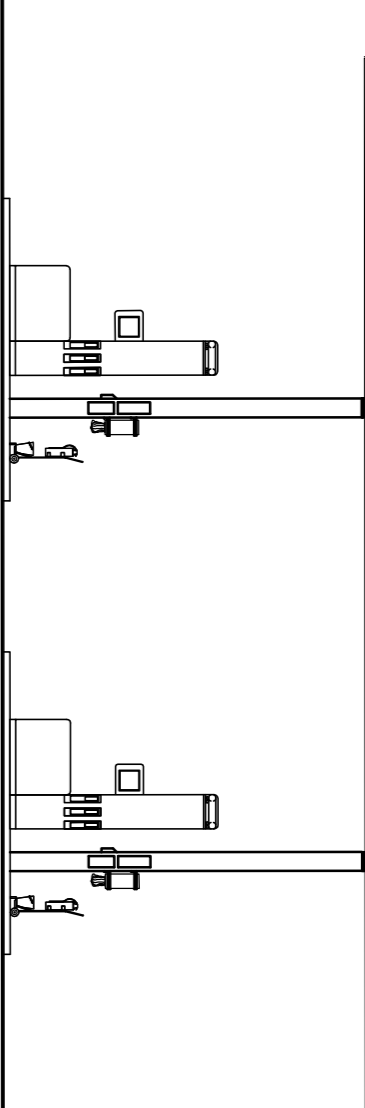


SIDE (NORTH EAST) ELEVATION



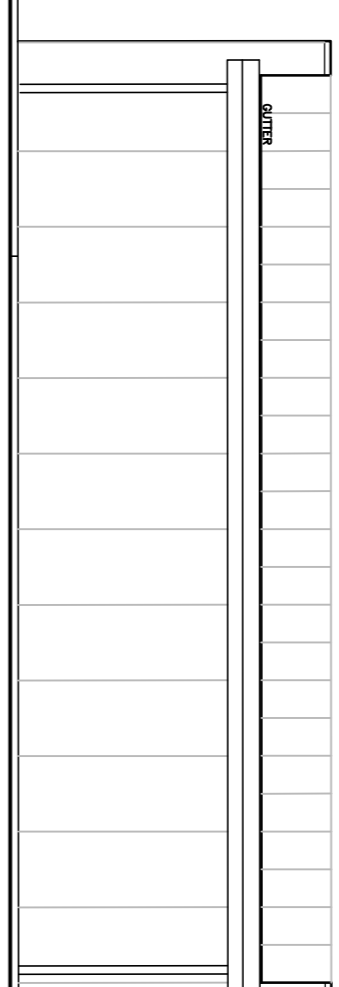
SIDE (SOUTH WEST) ELEVATION

Sainsbury's



REAR (NORTH WEST) ELEVATION

Sainsbury's



1. KIOSK MATERIALS NOTES

A. NEW ALUMINIUM FASCIA COLOUR REF:- RAL 9010 (WHITE) WITH INTERNAL ILLUMINATED "SAINSBURY'S" SIGN. (ALL SIGNAGE SUBJECT TO SEPERATE CONSENT).

B. ALUMINIUM FRAMED GLAZED SHOPFRONT WITH FRAMED ELECTRIC SLIDING DOOR AND "INDUSTRY STANDARD" NIGHT PAY HATCH.

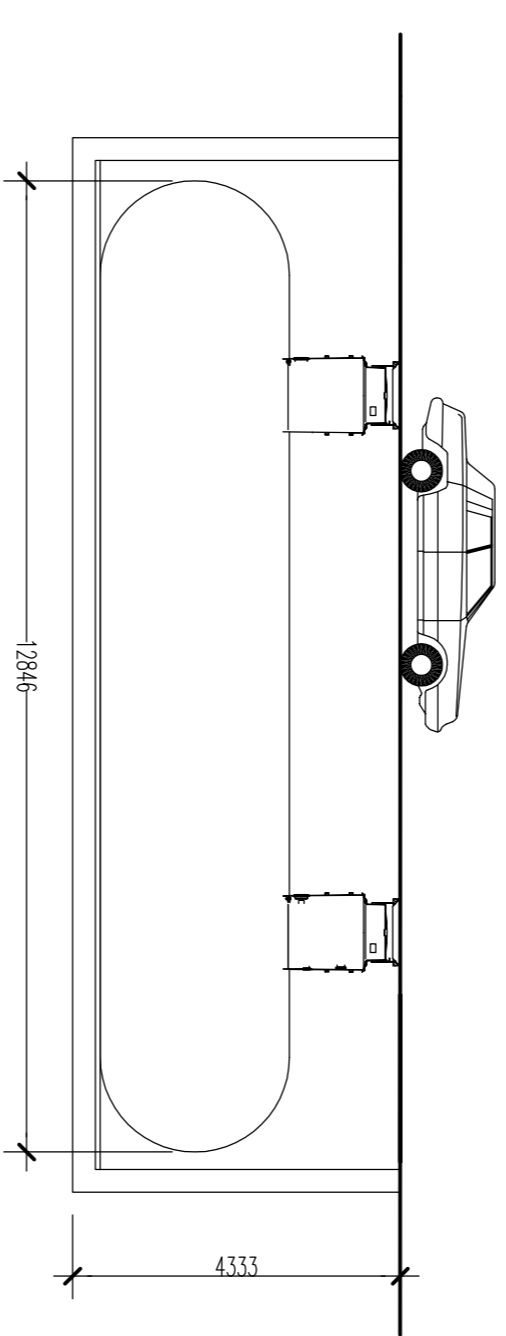
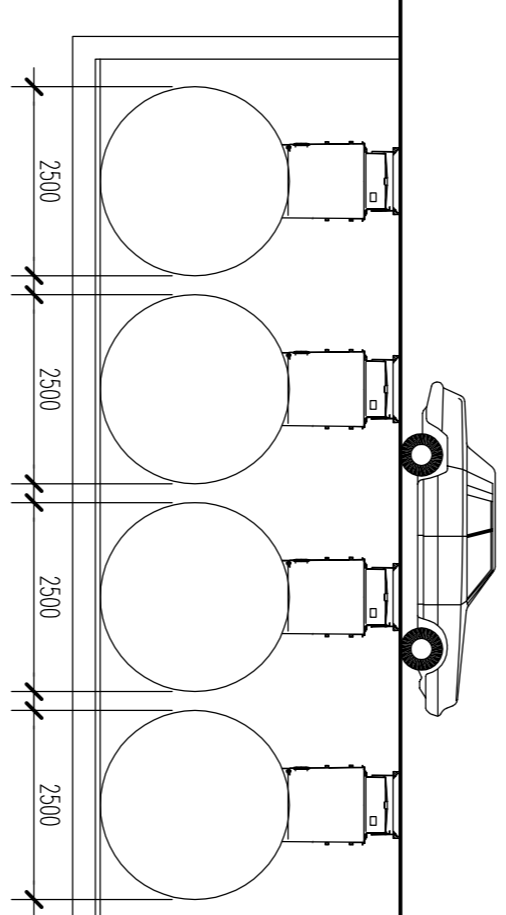
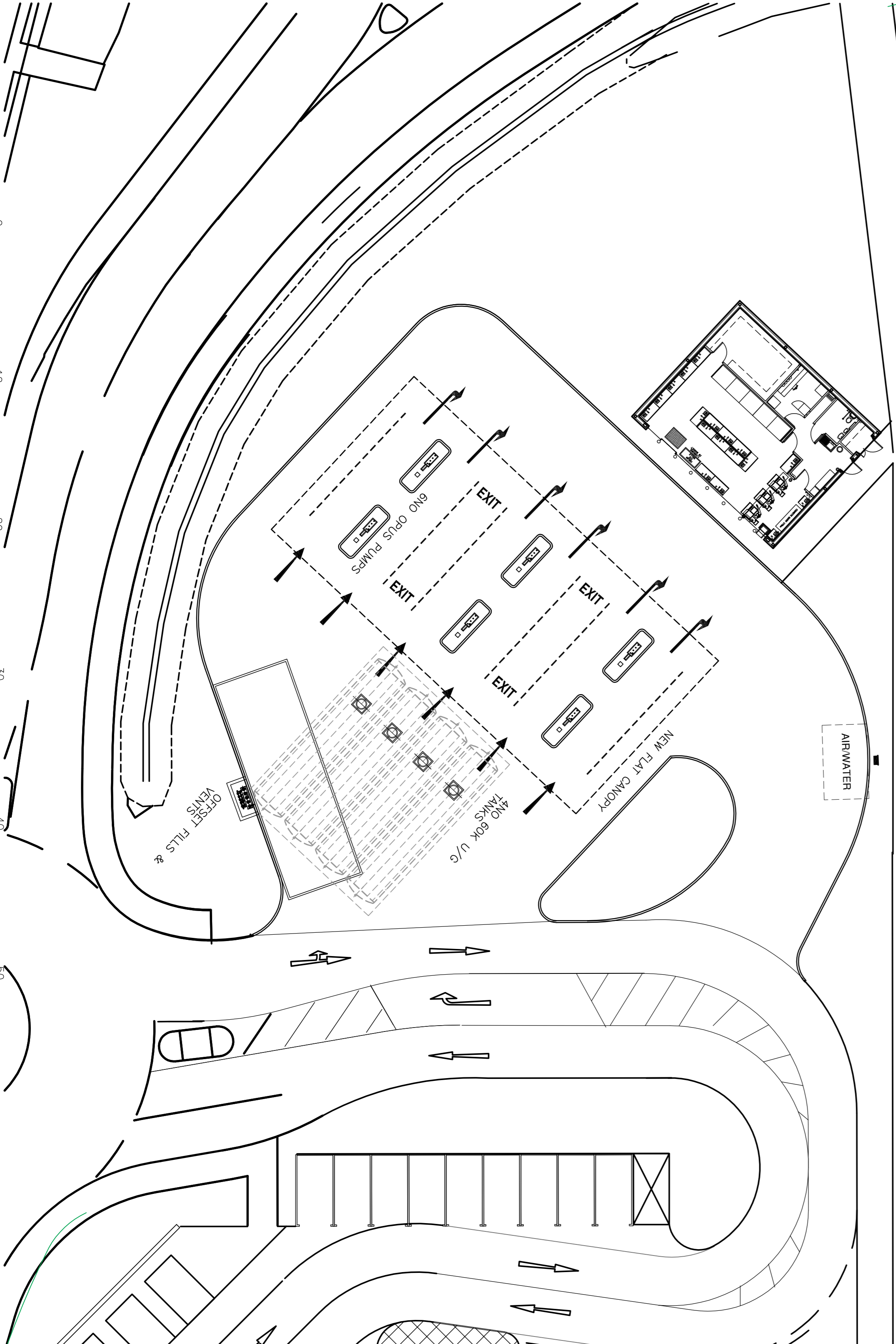
C. NEW KINGSPAN 1000MR COMPOSITE PANELS COLOUR REF:- RAL 7035 (TO MATCH STORE)

2. CANOPY MATERIALS NOTES

A. NEW FLAT CANOPY  
B. "Sainsbury's" LOGO LETTERS TO BE VACUUM CAST ACRYLIC TO MATCH RAL 2004. CAPITAL HIGH 850mm. LIGHT GENERATED NOT TO EXCEED 450 cd/sq.m (ALL SIGNAGE SUBJECT TO SEPERATE CONSENT).

| BUILDING AREAS | S.Q.M. |
|----------------|--------|
| EXISTING GROSS | N/A    |
| PROPOSED GROSS | 137    |
| EXISTING SALES | N/A    |
| PROPOSED SALES | 70     |

SITE PLAN 1:100



TANK SECTION 1:100

- PROPOSALS
- KIOSK
  - 4NO. NEW 60K LITRE TANKS
  - 6NO. NEW OPUS PUMPS
  - NEW FLAT STYLE CANOPY

Sainsbury's

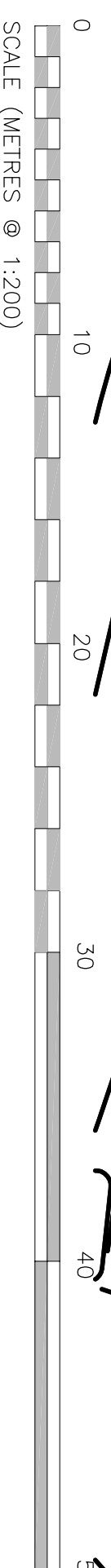
SCALE DRAWN DATE CHECKED  
DRAWING SHOWING AT D/B 16/11/09 M/DW  
PLANNING APPLICATION PLAN

PROJECT  
SAINSBURY'S PFS  
MARSH LANE, HAYLE

martindales

10 oakington business park  
1500000  
01223 202040  
01223 202041  
01223 202042

SITE PLAN 1:200



SCALE (METRES @ 1:200)